

Road standards for fire apparatus

Section 503.2.1

... Fire apparatus access roads shall have an unobstructed width of 20 feet, exclusive of shoulders, ... and have an unobstructed vertical clearance of 13 feet 6 inches.

Section 503.2.4 Turning radius The required Turning radius of a fire apparatus access road shall be determined by the fire code authority.

After doing some research It looks like a 20 foot inside radius and 40 foot outside radius would be adequate for our equipment.

Grade

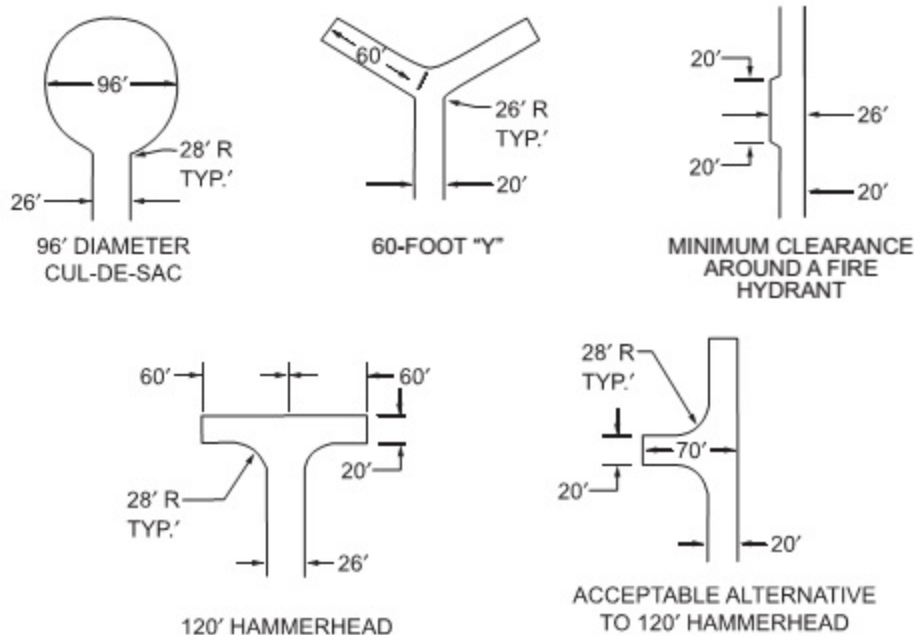
D103. Grade Fire apparatus access roads shall not exceed 10 percent in grade.

Turnaround

D103.4 Dead Ends

Dead-end fire apparatus access roads in excess of 150 feet (45 720 mm) shall be provided with width and turnaround provisions in accordance with Table D103.4.

Table D103.4 refers to this diagram.



Since all our equipment is smaller the cul-de-sac could be 80' diameter instead of 96' and the hammerhead or "Y" could have 50' length instead of the 60' or 70' in the image.

A loop would also be acceptable as a turn around if the 40 foot outside and 26 foot inside radius is maintained and is normally clear of vehicles for all turns.